

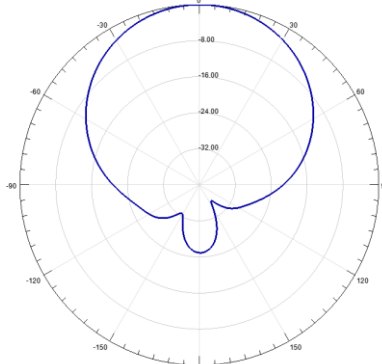

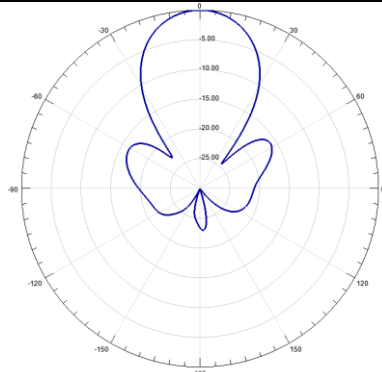
Electrical Specifications

Item No.	AB380-470X11i65A		
Frequency Range	MHz		380-470
Gain	dBi		11
Polarization			±45
Beam width	Azimuth	deg	65 typ.
	Elevation		37 typ.
Electrical Downtilt	deg		0
VSWR			≤1.5
Isolation	dB		≥25
Front-To-Back Ratio	dB		≥20
PIM, 3rd Order, 2 x 20 W,	dBc		-150
Input Impedance	Ω		50
Maximum Power	w		300
Lightning protection			DC Ground

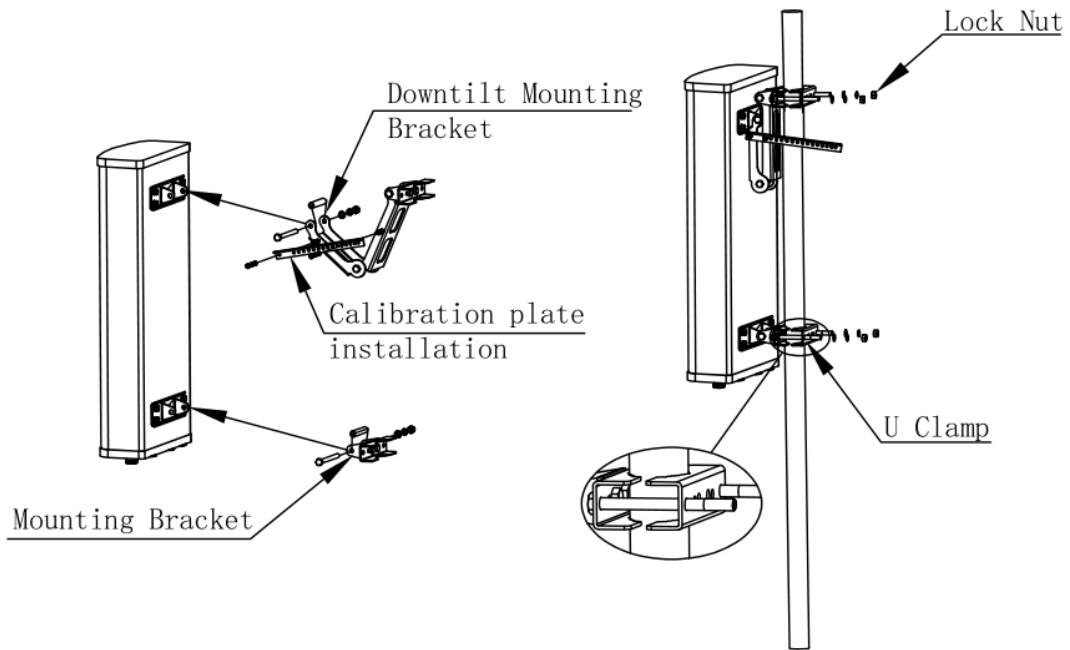
Mechanical Specifications

Connector Type			2×4.3-10 Female
Size	mm		1000×500×180
Weight, without Mounting Kit	kg		12
Weight, with Mounting Kit	kg		17
Mounting Mast size	mm		Φ50~Φ115
Radome Material			Fiberglass
Max. Wind Velocity	m/s		60
Operational Temperature	oC		-50~+75

Radiation Patterns

Azimuth pattern		
Elevation pattern		

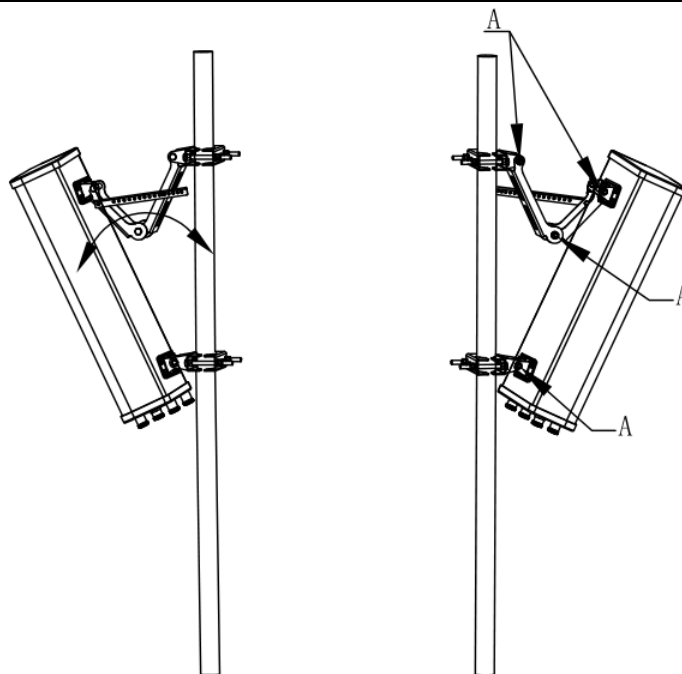
Installation Instruction



Step 1: Identify and assemble mounting bracket



Step 2: Mount the antenna to pole and tighten M10 bolts



Step 3: Adjust downtilt mounting bracket to achieve required downtilt



Step 4: Tighten "A" to lock antenna in position