

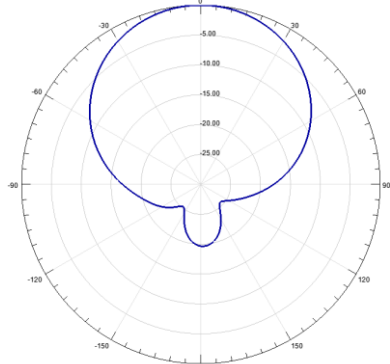

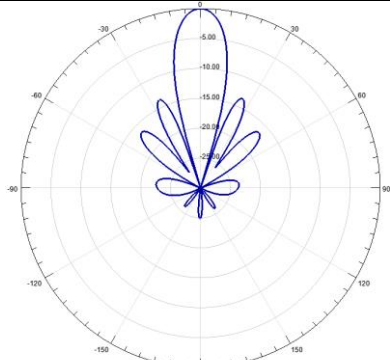
Electrical Specifications

Item No.		AB450-520X14i65A	
Frequency Range		MHz	450-520
Gain		dBi	14
Polarization			±45
Beam width	Azimuth	deg	68 typ.
	Elevation		
Electrical Downtilt		deg	0
VSWR			≤1.5
Isolation		dB	≥25
Front-To-Back Ratio		dB	≥20
PIM, 3rd Order, 2 x 20 W,		dBc	-150
Input Impedance		Ω	50
Maximum Power		w	500
Lightning protection			DC Ground

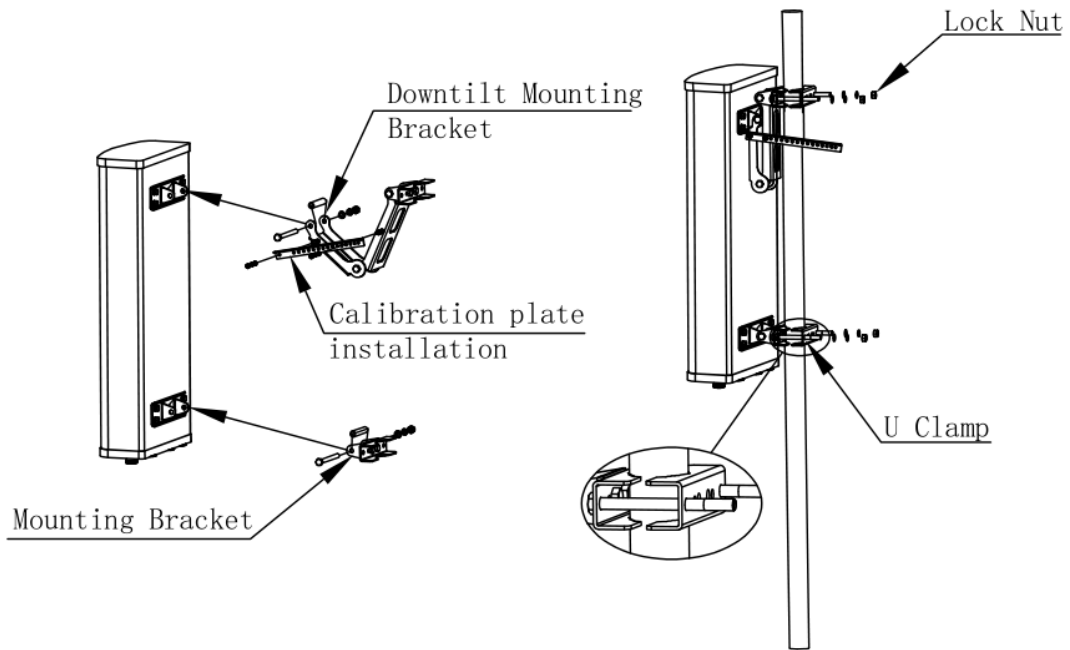
Mechanical Specifications

Connector Type			2×4.3-10-Female
Size		mm	1900×500×180
Weight, without Mounting Kit		kg	20
Weight, with Mounting Kit		kg	25
Mounting Mast size		mm	Φ50~Φ115
Radome Material			Fiberglass
Max. Wind Velocity		m/s	60
Operational Temperature		oC	-50~+75

Radiation Patterns

Azimuth pattern		
Elevation pattern		

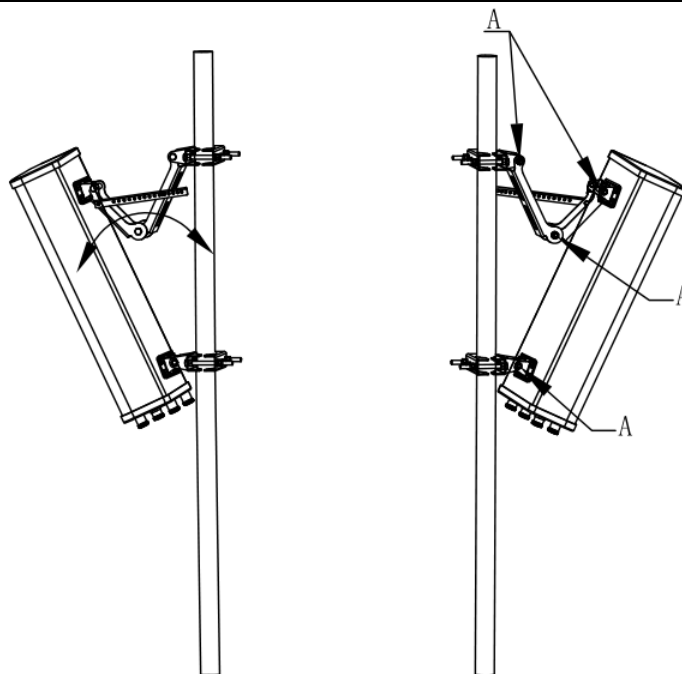
Installation Instruction



Step 1: Identify and assemble mounting bracket



Step 2: Mount the antenna to pole and tighten M10 bolts



Step 3: Adjust downtilt mounting bracket to achieve required downtilt



Step 4: Tighten "A" to lock antenna in position